

THIS DOCUMENT IS THE PROPERTY OF SELECT CONTROLS INCORPORATED AND IS CONVEYED WITH THE EXPRESS CONDITION THAT IT AND THE INFORMATION CONTAINED IN IT ARE NOT TO BE USED, DISCLOSED, OR REPRODUCED IN WHOLE OR IN PART, FOR ANY PURPOSE WITHOUT THE EXPRESS WRITTEN CONSENT OF SELECT CONTROLS INCORPORATED; AND THAT NO RIGHT IS GRANTED TO DISCLOSE OR SO USE ANY INFORMATION CONTAINED IN SAID DOCUMENT.

NOTES:


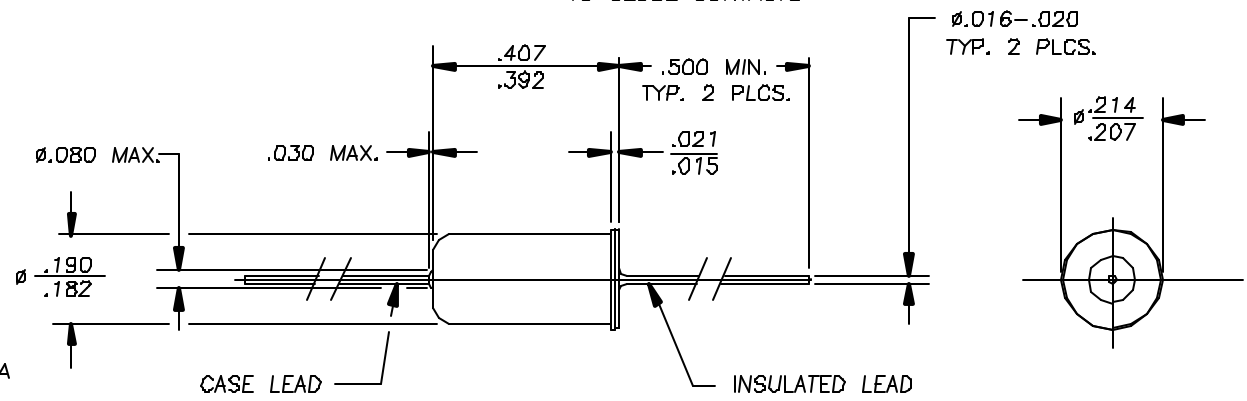
1. SWITCH: UNIDIRECTIONAL, NORMALLY OPEN, AUTOMATICALLY RESETTABLE
2. WEIGHT: 2 GRAMS MAXIMUM
3. CONTACTS: SPST, NORMALLY OPEN
4. CONTACT RESISTANCE: 50 OHMS MAXIMUM
5. CONTACT RATING: 50 MA AT 12VDC
6. INSULATION RESISTANCE: 30 MEGOHMS MINIMUM AT 500 VDC
7. OPERATING CHARACTERISTICS:
CONTACTS MUST CLOSE WHEN SUBJECTED TO A STEADY STATE ACCELERATION OF,
"SEE TABLE" G'S +/- 15% (A)
8. TEMPERATURE RANGE:
 - a) OPERATING: -54°F TO +257°F
 - b) NON-OPERATING: -65°F TO +257°F
9. SHOCK TEST: HALF SINE SHOCK EVENT, 80 G PEAK ACCELERATION FOR 11MS DURATION, 6 SHOCKS POSITIVE AND 6 SHOCKS NEGATIVE
10. DROP TEST: WITHSTAND 1 METER DROP 3 TIMES EACH AXIS
11. SWITCH SEAL: HERMETIC; PER MIL-STD-750C,
12. LEAD STRENGTH: 3 LBS. MINIMUM AXIAL PULL

5052-ST-000

B

REVISIONS				
ALT	DESCRIPTION	BY	CHK	ENG
A	SEE ECN5052-ST-000A	AHN 1/23/03		
B	SEE ECN5052-ST-000B	AHN 8/1/04		

ACCELERATE THIS DIRECTION TO CLOSE CONTACTS

NOMINAL g'S	SELECT CONTROLS P/N	NOMINAL g'S	SELECT CONTROLS P/N
25.0	5052-6-000	45.0	5052-7-000
20.0	5052-5-000	(B) 30.0	5052-8-000
18.25	5052-4-000	(B) 40.0	5052-9-000
14.5	5052-3-000		
12.0	5052-2-000		
10.0	5052-1-000		

ITEM	NO.	PART NO.	DESCRIPTION	REMARKS
BILL OF MATERIAL				

MATERIAL _____
FINISH _____

DO NOT SCALE DRAWING
REMOVE BURRS, BREAK SHARP EDGES
TOLERANCES UNLESS SPECIFIED:
FRACTIONS: ±1/64" ANGLES: ±0.30°
MACH FINISH: 125/RA DEC: .00 ±.010 DEC: .000 ±.005

TITLE
ACCELERATION SWITCH
NORMALLY OPEN

SCALE: 4:1
WEIGHT: _____

S select controls Inc.
45-3 KNICKERBOCKER AVE.
BOHEMIA, N.Y. 11716

DATE: 10/21/03
DRAWING NO.: 5052-ST-000
REV: B

SHEET 1 OF 1